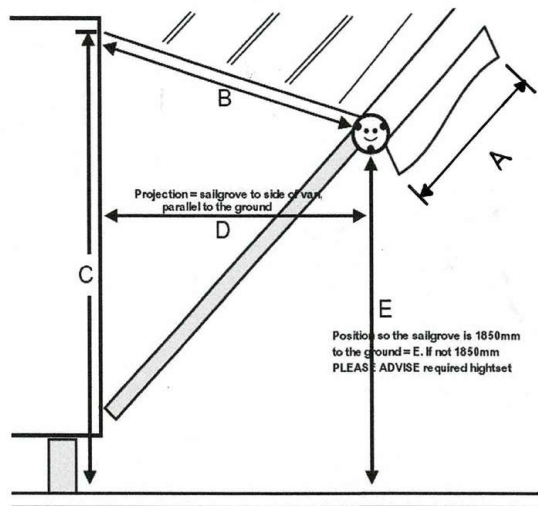


# Sunbuster End Panel order form for Roll Out Awning

Order date		Sales Person	
Date Req			
<b>Dealers Details</b>			
Address		P/C	
Ph		Fax	
		Contact	
<b>Customers Name</b>			
Address		P/C	
Ph		Fax	
		Mob	
RV Brand			



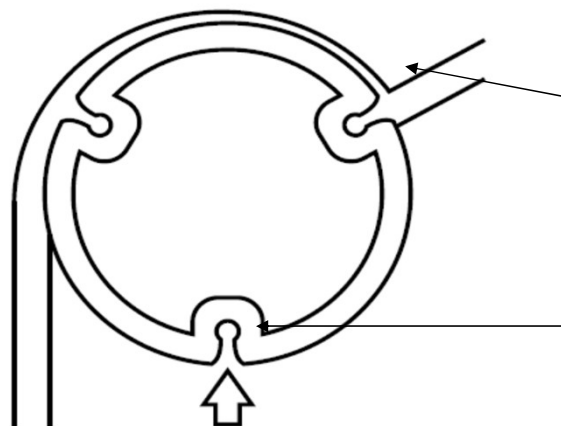
<b>Awning Brand:</b>
<b>Sunbuster Colour Required:</b>

A. Awning fabric length at Roller	<b>A.</b>
B. Vinyl fabric length from side of van/pop top surround to roller sailgrove	<b>B.</b>
C. Back wall height, sailtrack to ground, measured over the wheels/axle	<b>C.</b>
D. Wall projection, measured from sidewall to roller sailgrove	<b>D.</b>
E. Longwall height, sailgrove to ground set at 1850mm. Advise height if not so	<b>E.</b>

NB> With the Awning erected to the above measurements please ensure that the door of RV is free to open, and there is sufficient slope for water to run off. If not adjust as spec above, advise the required adjusted height

**NOTES AND OTHER BENEFICIAL INFO:-**

<b>AFK brand</b>
<b>AFK track length</b>



Note the valley in the vinyl roof to catch rainwater. Refer to ROA manufacturers recommendations

Empty groove at 6 o'clock, facing the pavement



[www.sunbustershades.com.au](http://www.sunbustershades.com.au)  
[admin@sunbustershades.com.au](mailto:admin@sunbustershades.com.au)

**Ph: 1800 472 665**

**Mob: 0429 846 628**